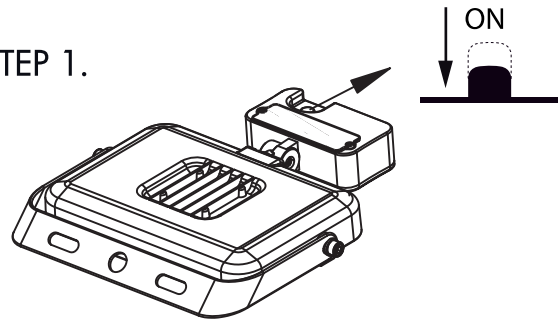


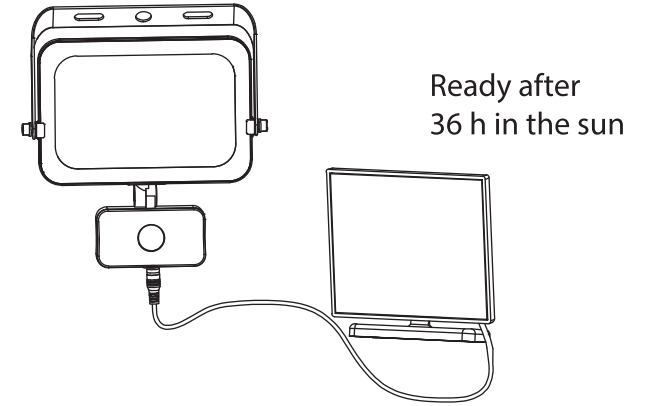
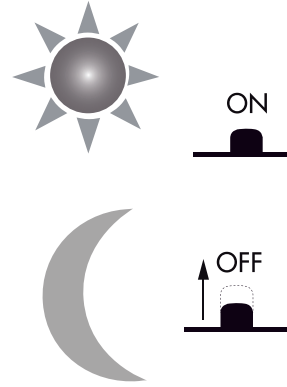
Art.no 481-65

FIRST USE

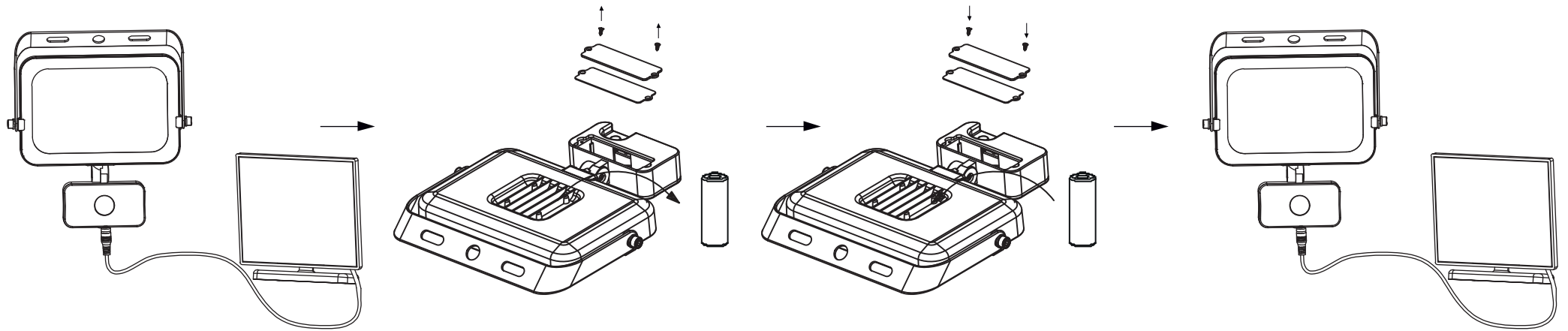
STEP 1.



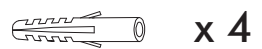
STEP 2.



BATTERY REPLACEMENT



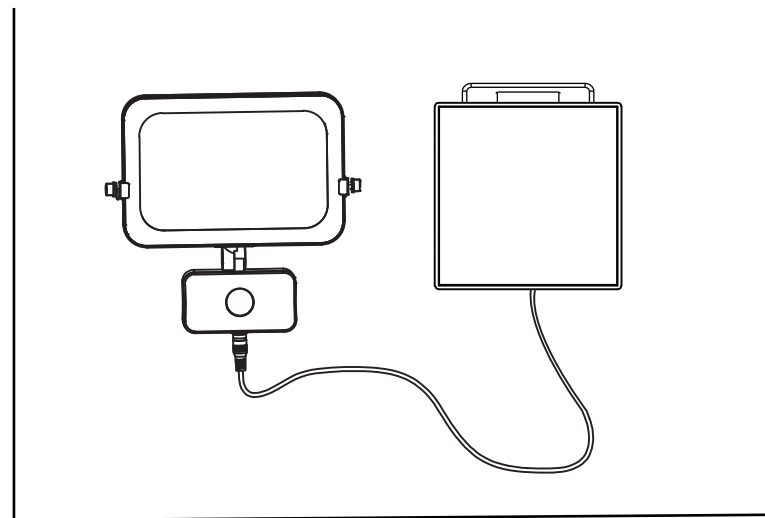
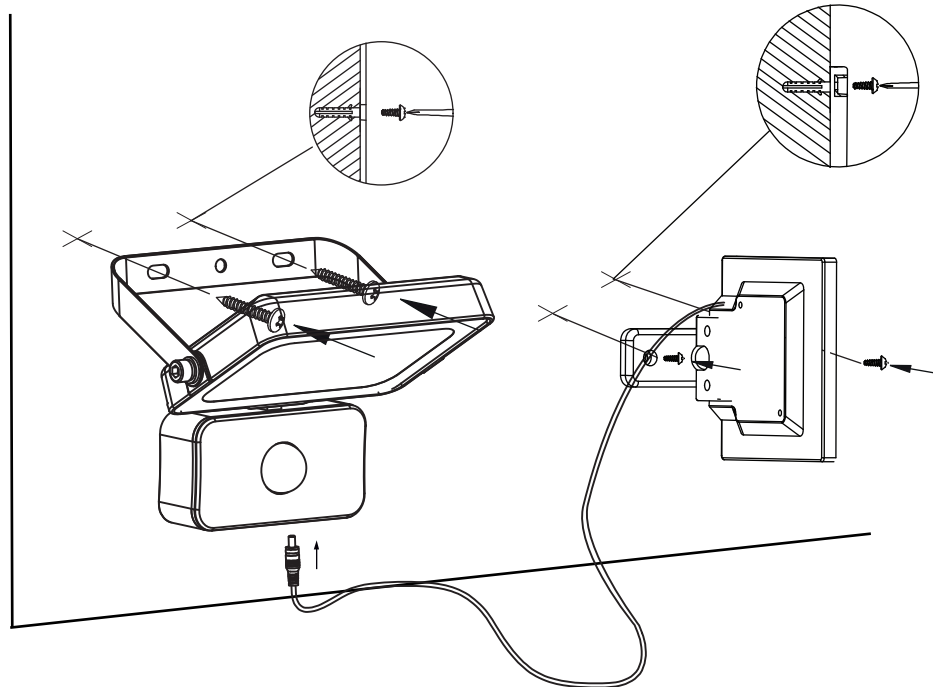
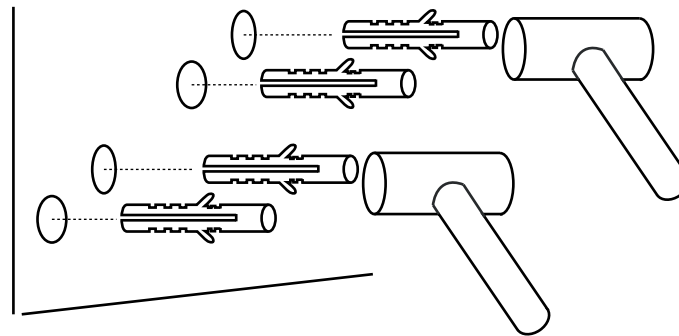
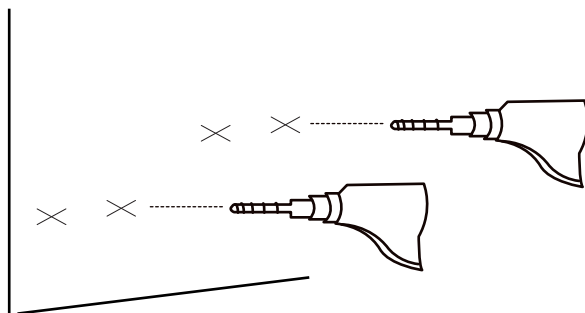
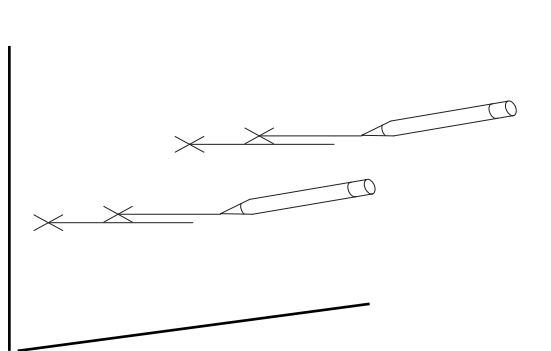
STAR[®]
TRADING
STAR STREET 1
512 50 SVENLJUNGA
SWEDEN
www.startrading.com



x 4



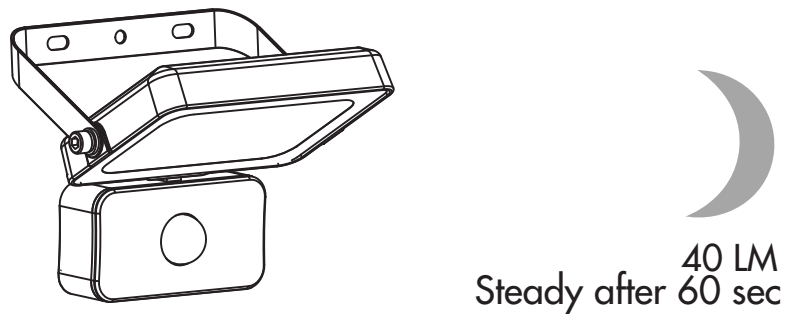
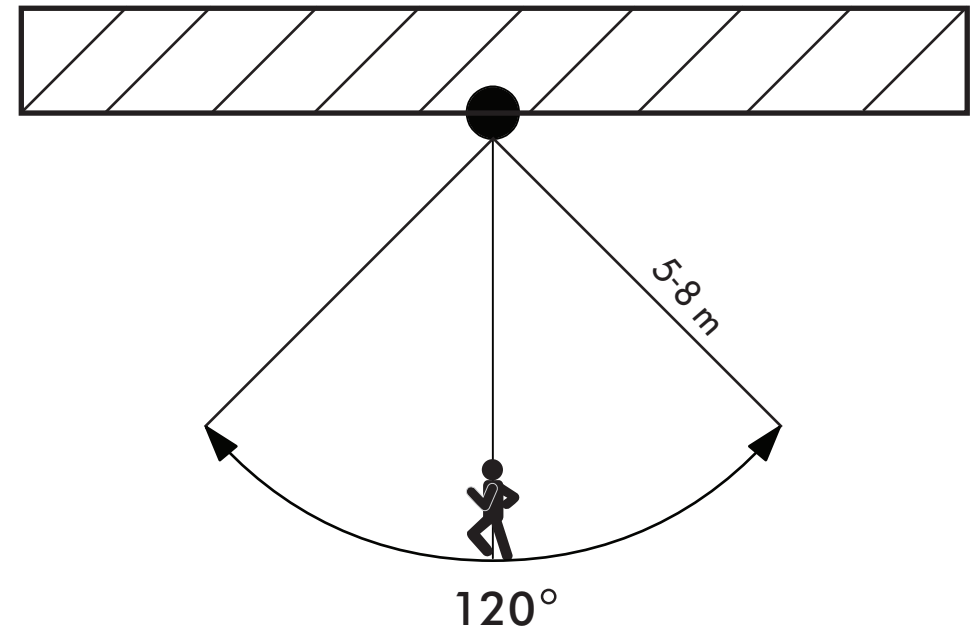
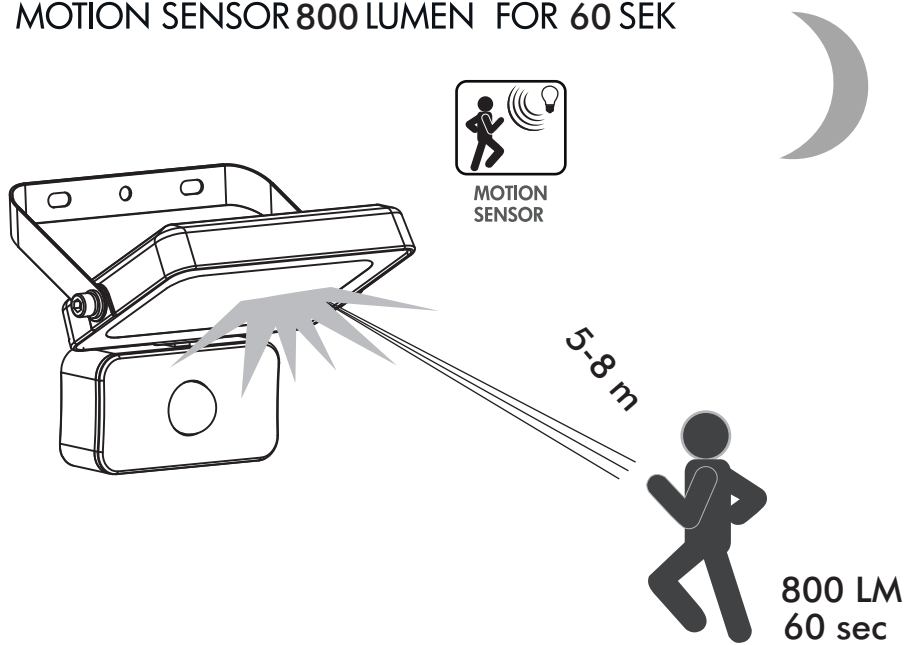
x 4



Art No: 481-65

40 LUMEN CONSTANT LIGHT

MOTION SENSOR 800 LUMEN FOR 60 SEK



STAR[®]
TRADING
STAR STREET 1
512 50 SVENLUNGA
SWEDEN
www.startrading.com