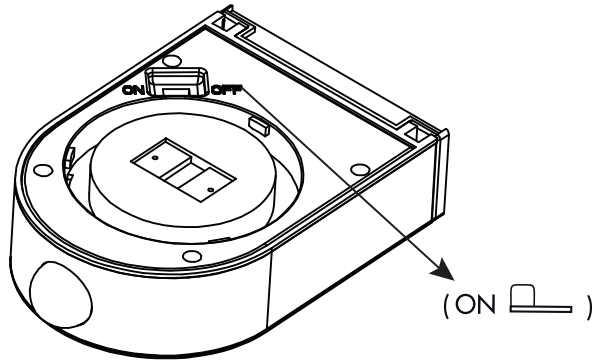


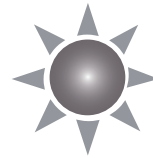
Art.no 481-61

FIRST USE

STEP 1.




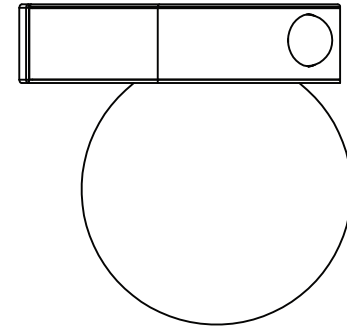
STEP 2.



(ON )

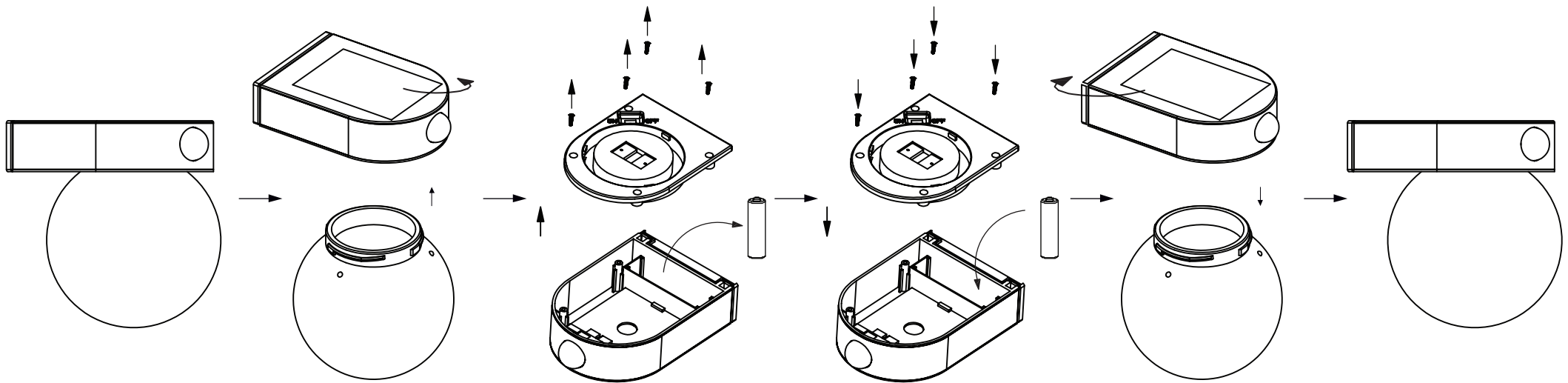


(OFF )

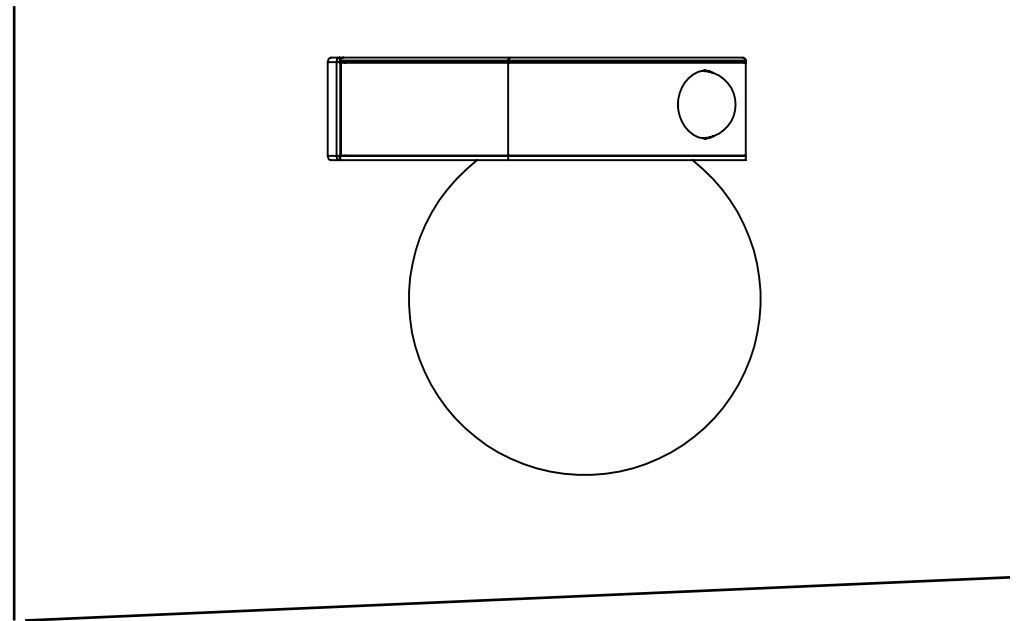
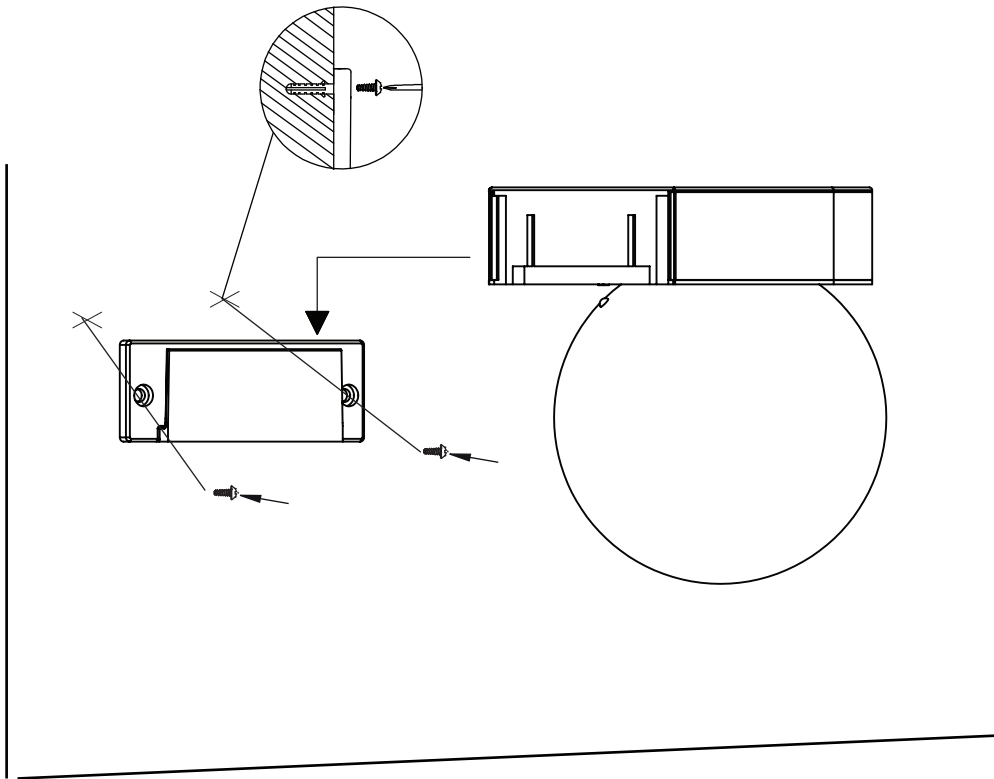
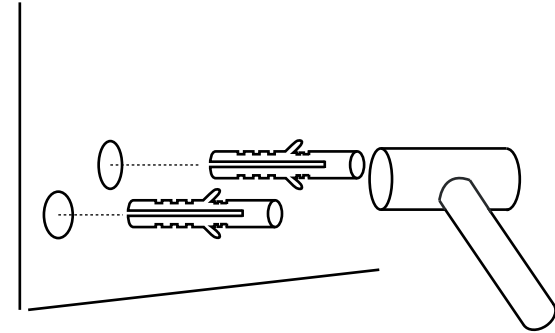
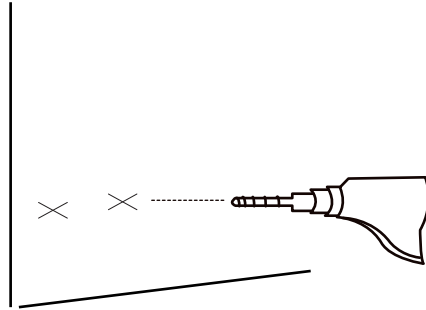
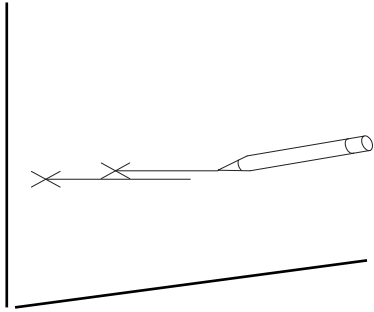
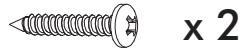
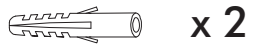


Ready after
36 h in the sun

BATTERY REPLACEMENT



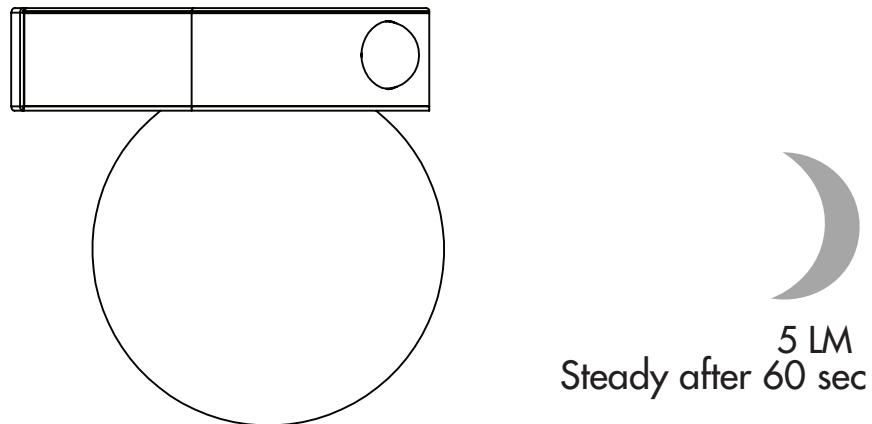
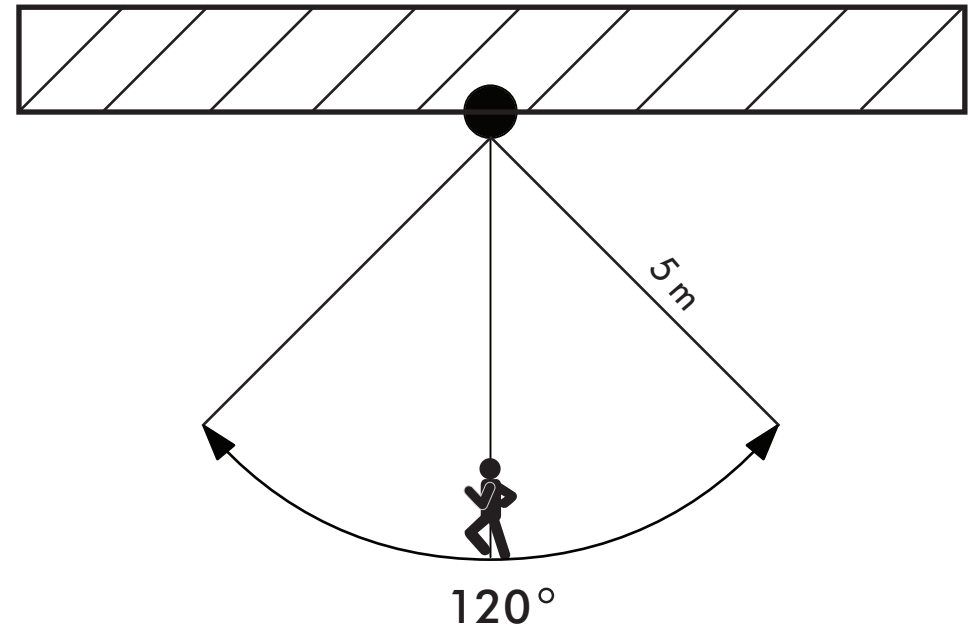
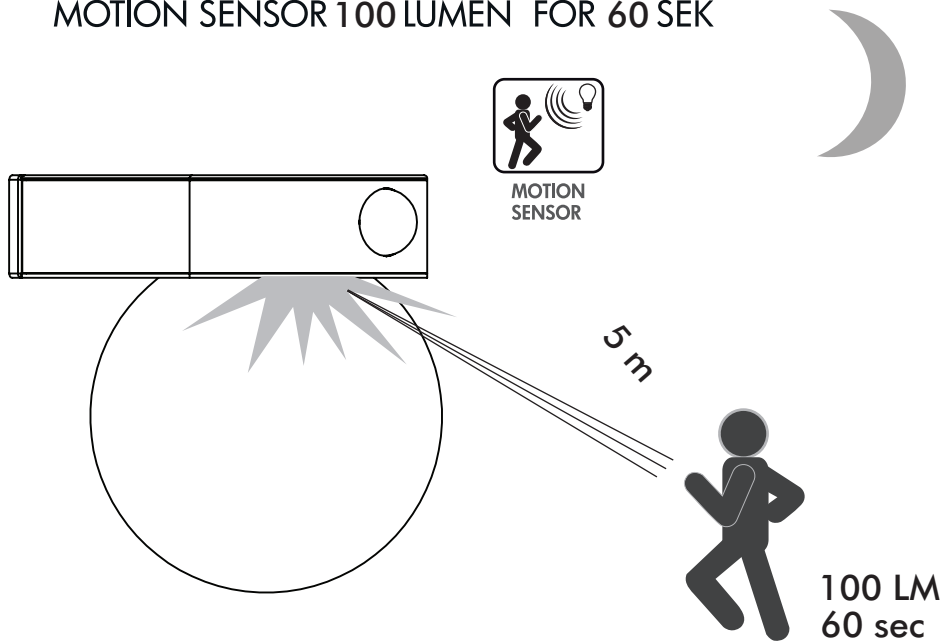
STAR[®]
TRADING
STAR STREET 1
512 50 SVENLJUNGA
SWEDEN
www.startrading.com



Art No: 481-61

5 LUMEN CONSTANT LIGHT

MOTION SENSOR 100 LUMEN FOR 60 SEK



STAR[®]
TRADING
STAR STREET 1
512 50 SVENLJUNGA
SWEDEN
www.startrading.com