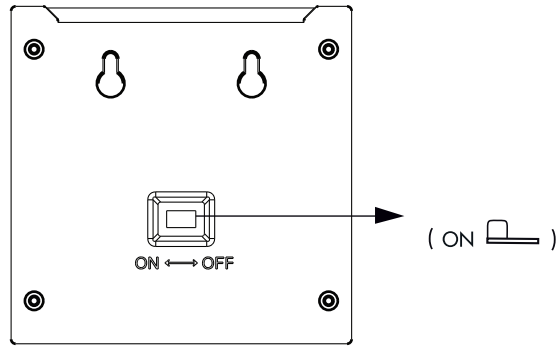


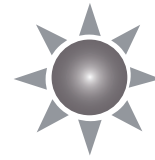
Art.no 481-15

FIRST USE

STEP 1.



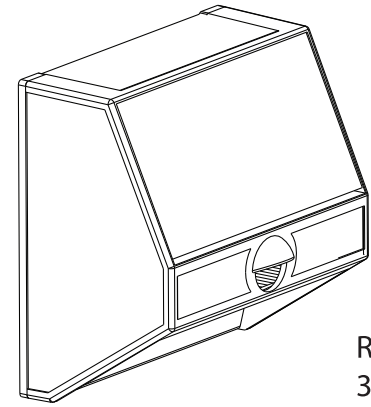
STEP 2.



(ON)

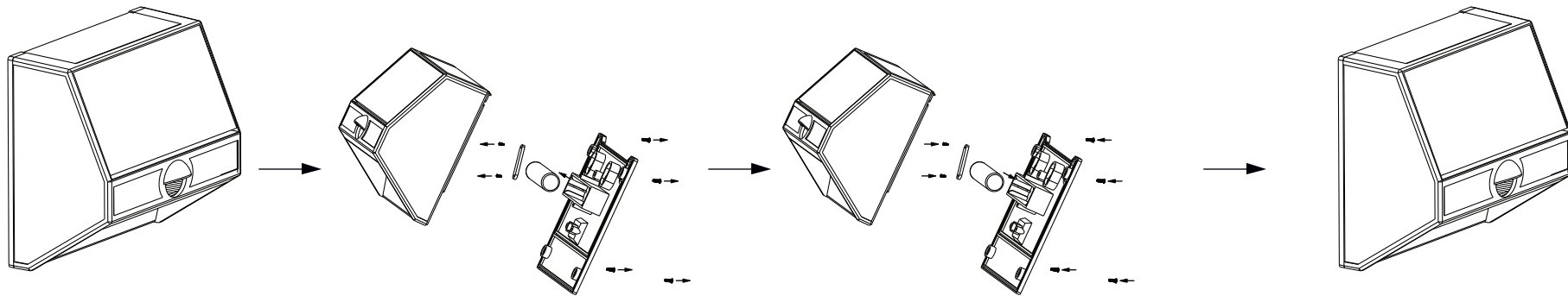


(OFF)



Ready after
36 h in the sun

BATTERY REPLACEMENT



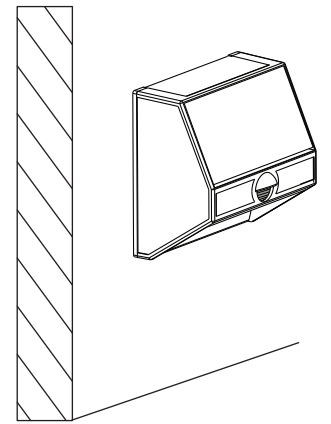
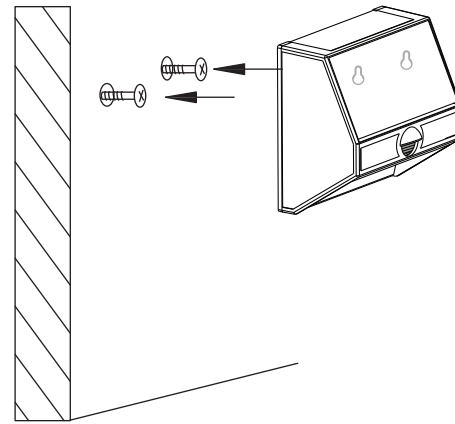
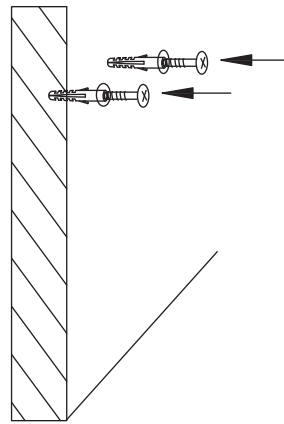
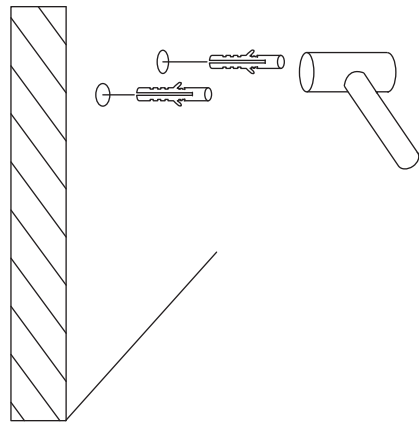
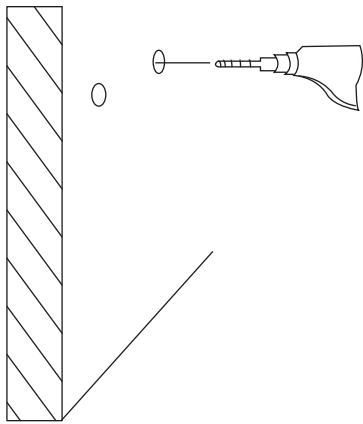
STAR[®]
TRADING
STAR STREET 1
512 50 SVENLJUNGA
SWEDEN
www.startrading.com



x 2



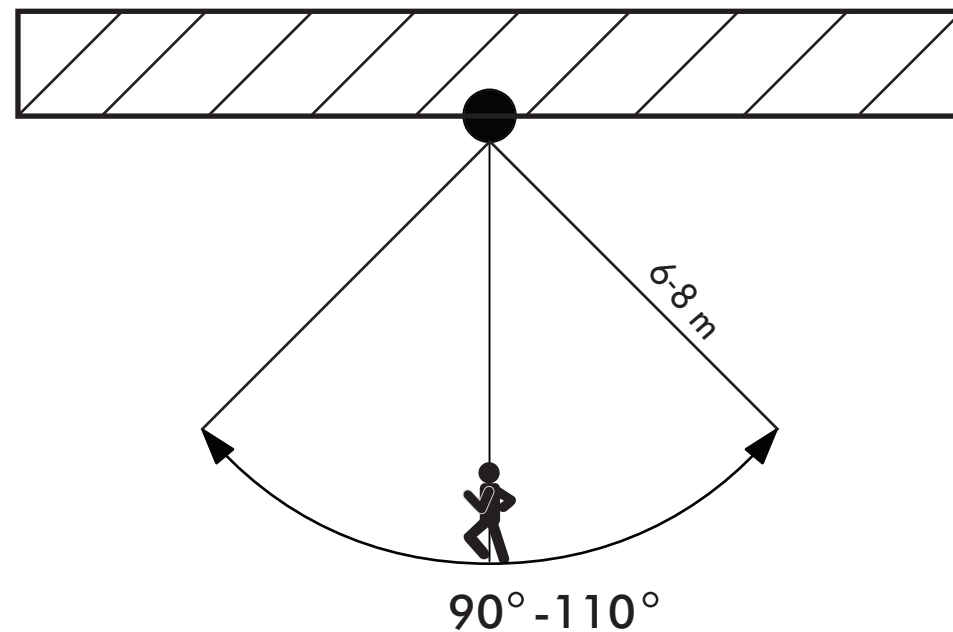
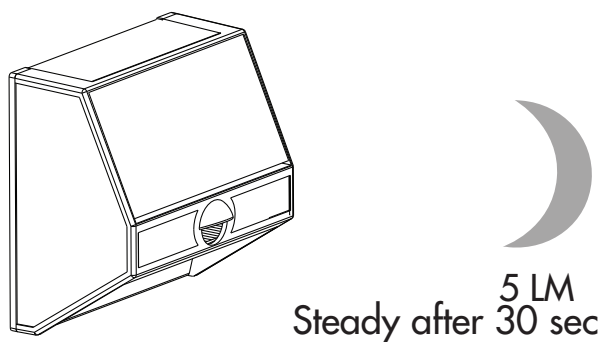
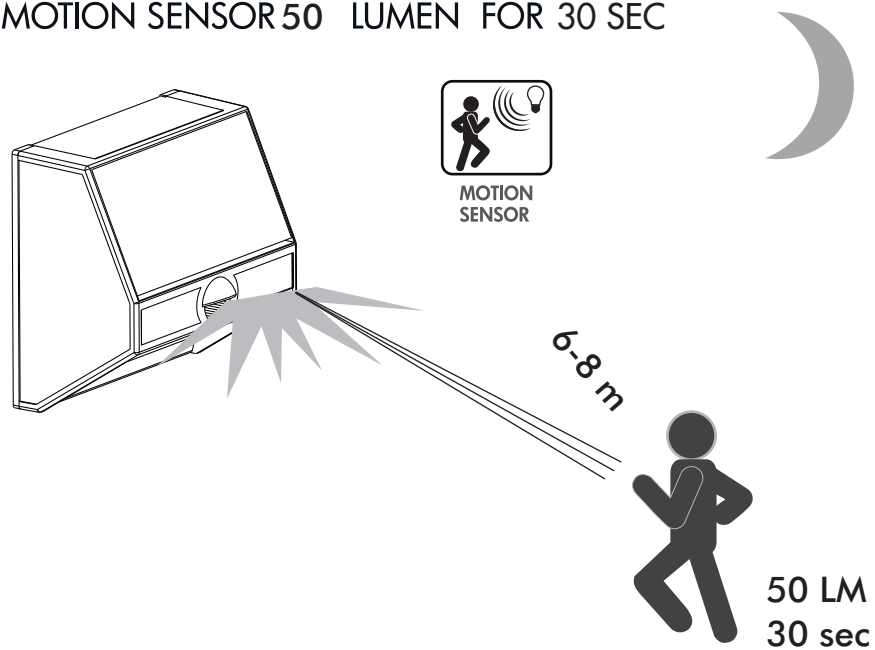
x 2



Art.no 481-15

5 LUMEN CONSTANT LIGHT

MOTION SENSOR 50 LUMEN FOR 30 SEC



STAR[®]
TRADING
STAR STREET 1
512 50 SVENLJUNGA
SWEDEN
www.startrading.com