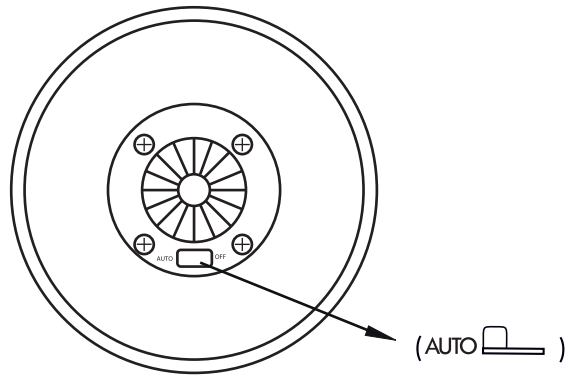


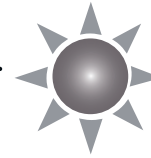
Art.no 480-54

FIRST USE

STEP 1.



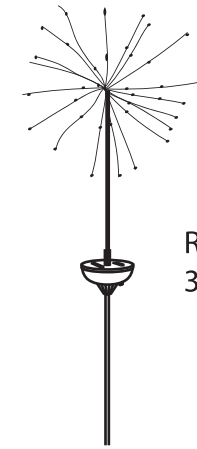
STEP 2.



(AUTO [switch icon])

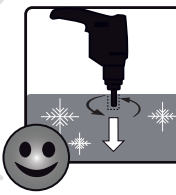
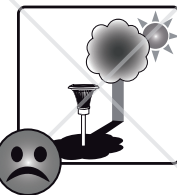
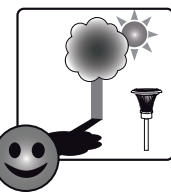
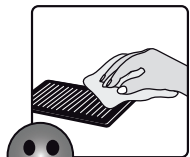
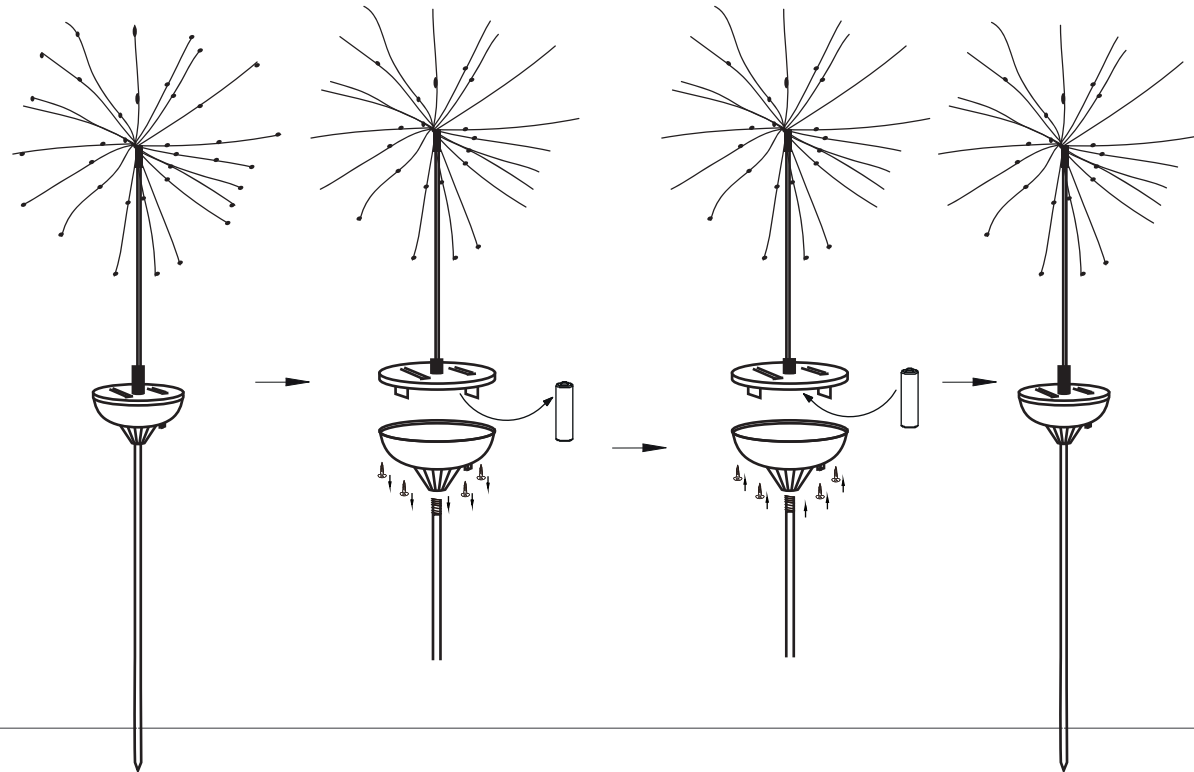


(OFF [switch icon])



Ready after  
36 h in the sun

BATTERY REPLACEMENT



**STAR**<sup>®</sup>  
TRADING

STAR STREET 1  
512 50 SVENLJUNGA  
SWEDEN

[www.startrading.com](http://www.startrading.com)