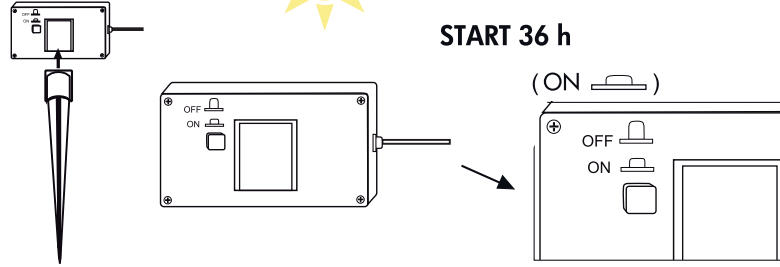


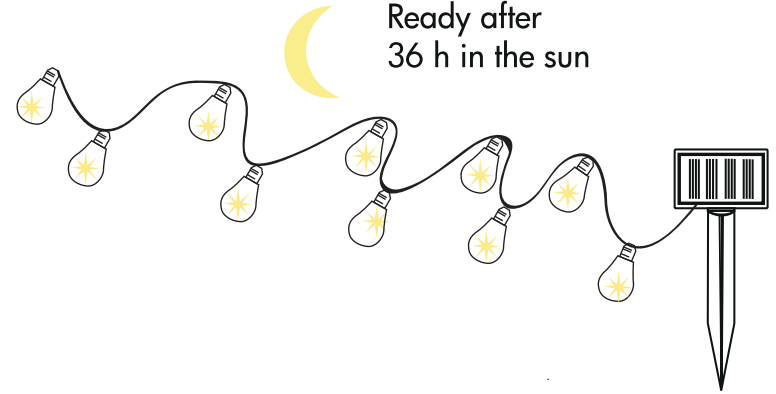
Art.no 480-10/11

FIRST USE

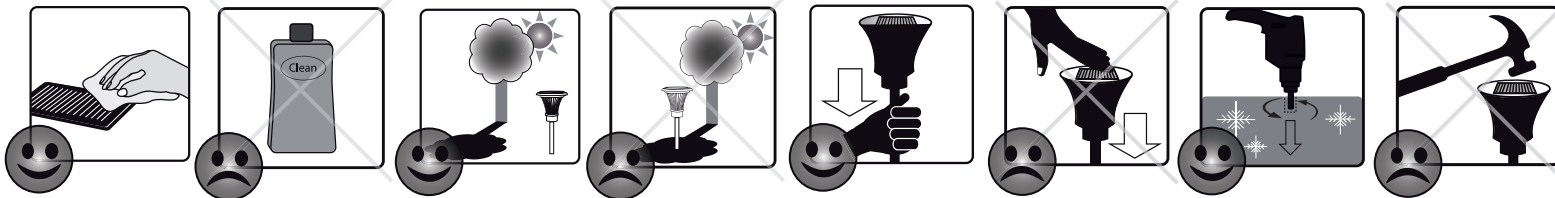
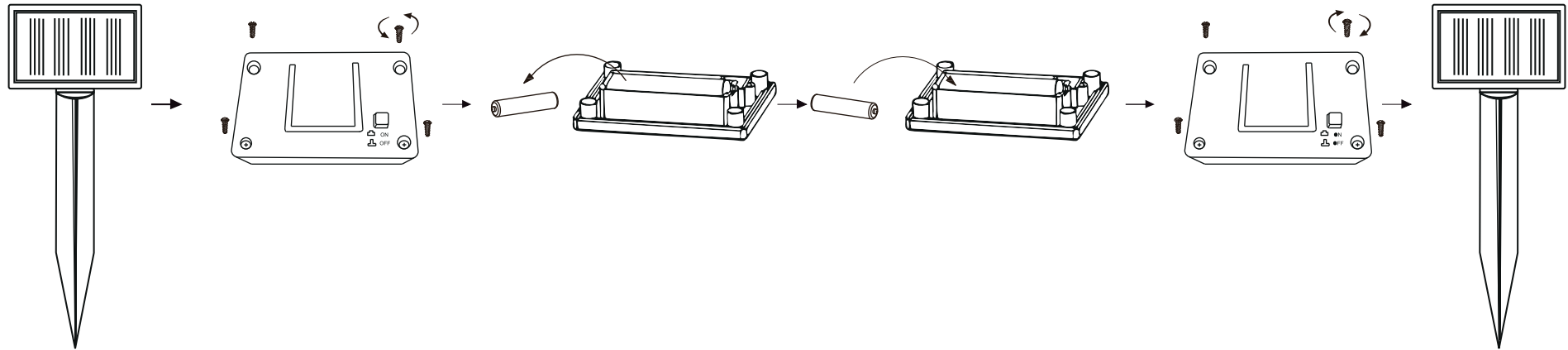
STEP 1.



STEP 2.



BATTERY REPLACEMENT



**STAR**  
TRADING

STAR STREET 1  
512 50 SVENLJUNGA  
SWEDEN  
[www.startrading.com](http://www.startrading.com)