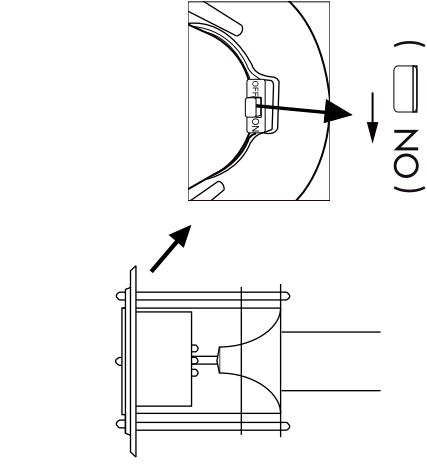
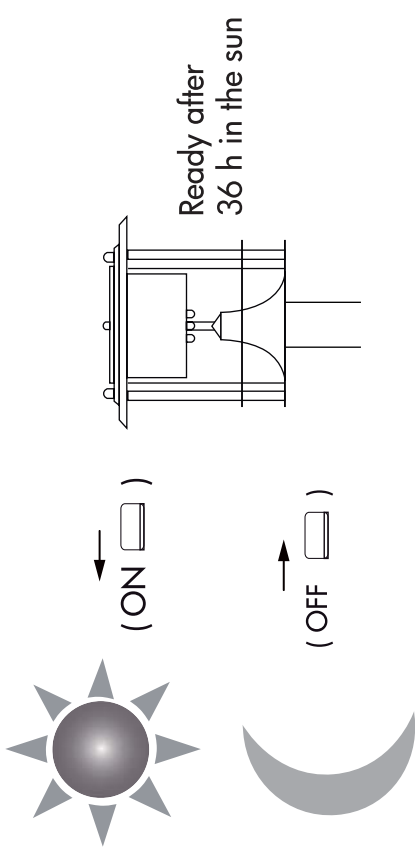


Art.No 477-55,479-73

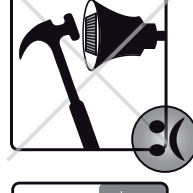
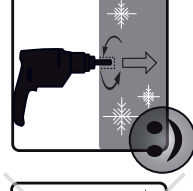
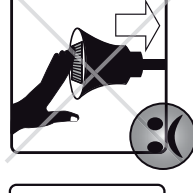
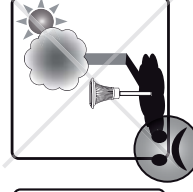
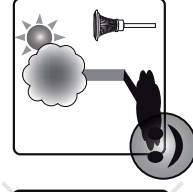
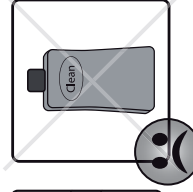
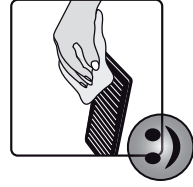
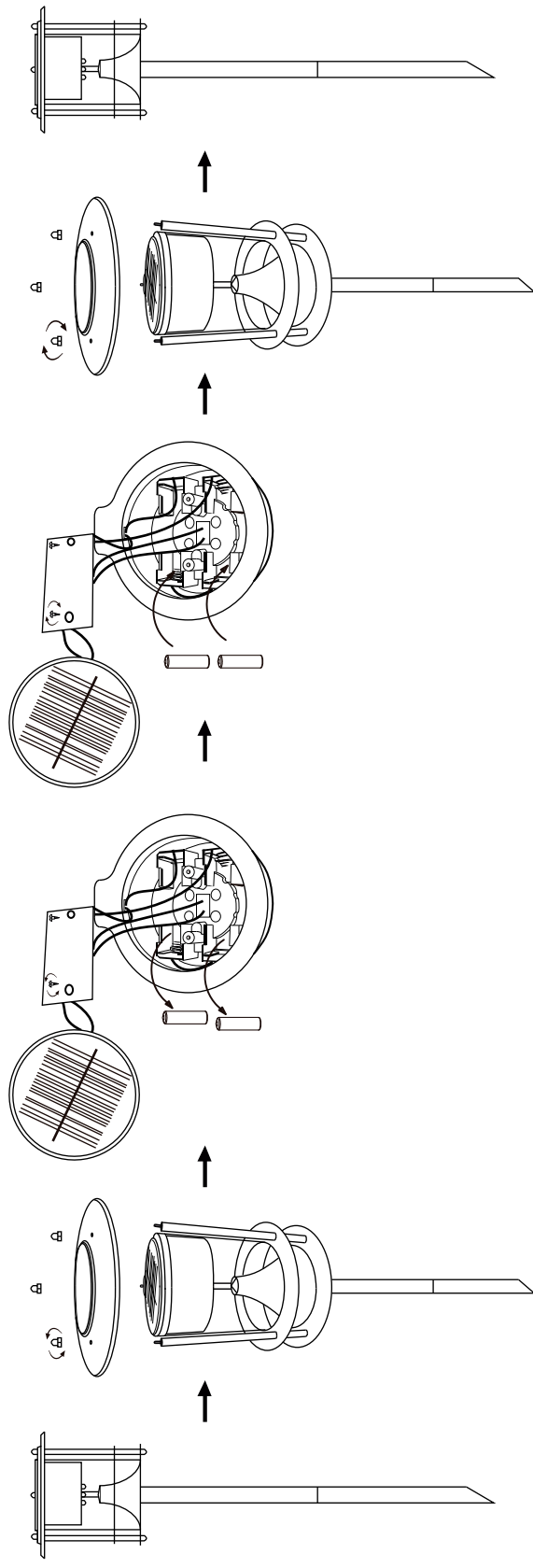
FIRST USE STEP 1.



STEP 2.



BATTERY REPLACEMENT



STAR
TRADING
STAR STREET 1
512 50 SVENLJUNGA
SWEDEN